

TECHNICAL CATALOGUE

FULL FLOW BALL VALVE,
MALE/MALE THREADS
ART. 099



ITAP SpA, founded in Lumezzane (Brescia) in 1972, is currently one of the leading production companies in Italy of valves, fittings and distribution manifolds for plumbing and heating systems. Thanks to fully automated production processes, with 72 tooling machines and 51 assembly lines, we are able to produce 200,000 pieces per day. Our innate pursuit for innovation and observance of technical regulations is supported by the company certification ISO 9001: 2008. The company has always considered its focus on quality as the main tool to obtain significant business results: today ITAP SpA is proud to offer products bearing the approval of numerous international certifying bodies.

FULL FLOW BALL VALVE, MALE/MALE THREADS: ART. 099





FULL FLOW
BALL VALVE,
MALE/MALE
THREADS

SUITABLE FOR DOMESTIC
WATER SERVICES, HEATING, AIR-
CONDITIONING PLANTS AND
COMPRESSED AIR SYSTEMS.

099

FULL FLOW BALL VALVE,
MALE/MALE THREADS



SIZE	PRESSURE	CODE	PACKING
3/8" (DN 10)	40bar/580psi	0990038/F	30/180 - F 30/240
1/2" (DN 15)	40bar/580psi	0990012/F	25/125 - F 25/150
3/4" (DN 20)	40bar/580psi	0990034/F	15/90 - F 20/100
1" (DN 25)	40bar/580psi	0990100/F	10/60 - F 10/60
1"1/4 (DN 32)	30bar/435psi	0990114	5/30 - /
1"1/2 (DN 40)	30bar/435psi	0990112	3/27 - /
2" (DN 50)	30bar/435psi	0990200	2/18 - /

TECHNICAL SPECIFICATIONS

Male/male threads.

Lever handle in aluminium.

Body in nickel-plated brass.

Minimum and maximum working temperatures:

-10°C, 95°C in absence of steam.

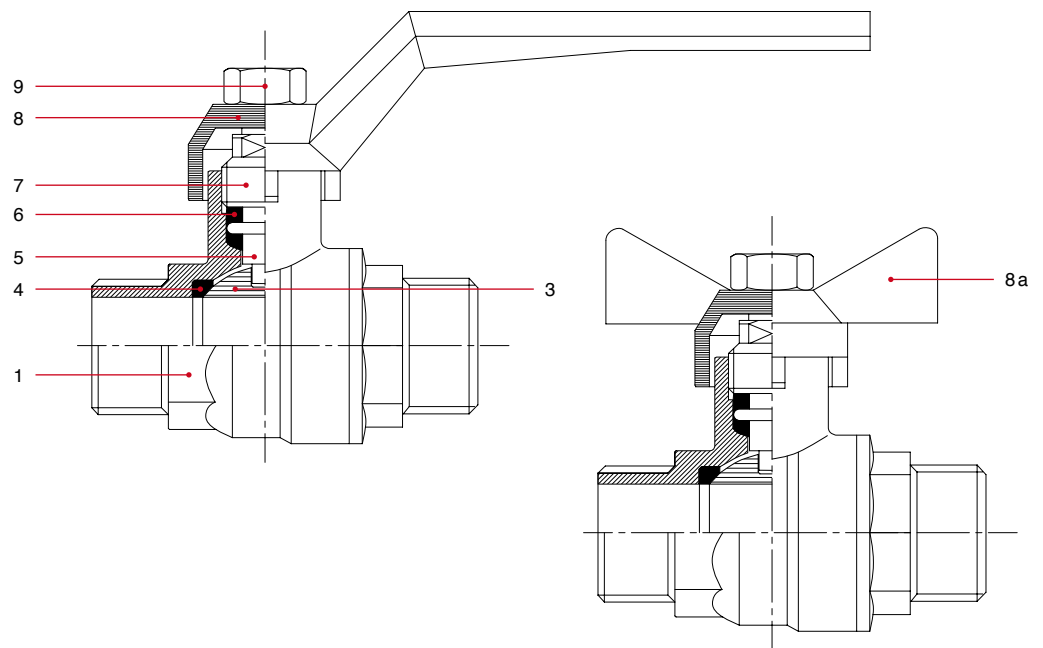
Threads ISO228

(equivalent to DIN EN ISO 228 and BS EN ISO 228).

Available with T handle in aluminium in the sizes 3/8" through 1".

Mention "F" in the code to order the T handle.

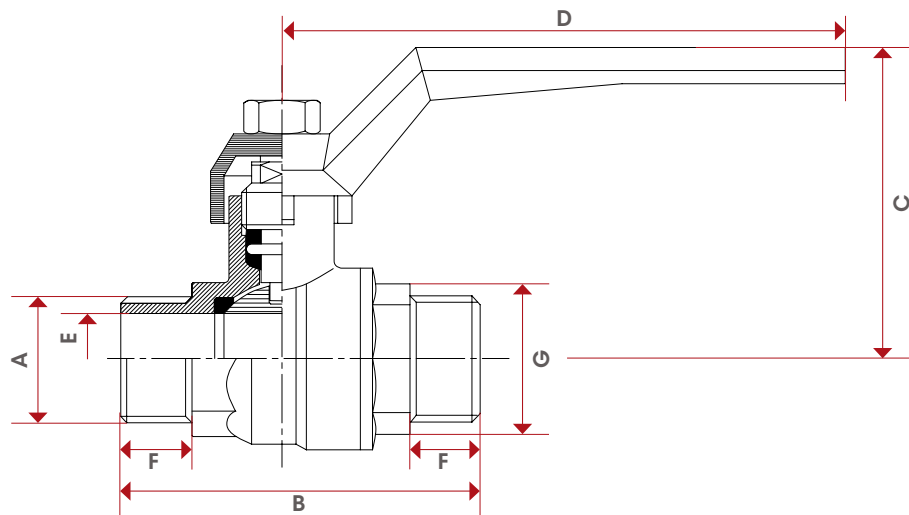
MATERIALS



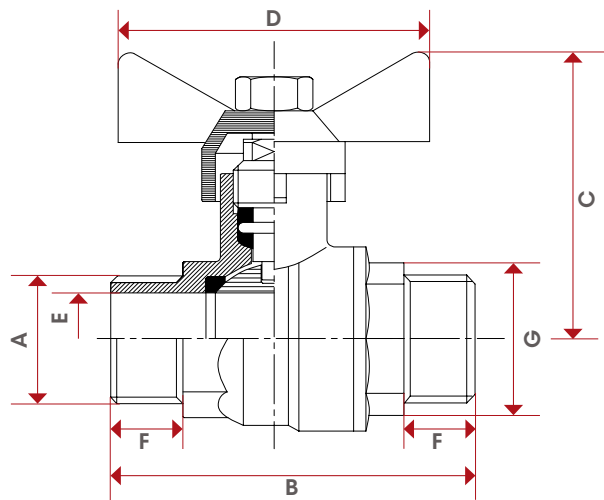
POS.	DESCRIPTION	N.	MATERIAL
1	Body	1	Nickel-plated brass CW617N
2	End adapter	1	Nickel-plated brass CW617N
3	Ball	1	Chrome-plated brass CW617N
4	Seat	1	P.T.F.E.
5	Stem	1	Brass CW614N
6	Washer	2	P.T.F.E.
7	Packing gland	1	Brass CW614N
8	Lever handle	1	Varnished aluminium
8a	T handle	1	Varnished aluminium
9	Nut	1	Zinc-plated steel



OVERALL DIMENSIONS



	3/8"	1/2"	3/4"	1"	1"1/4	1"1/2	2"
DN	10	15	20	25	32	40	50
A	3/8"	1/2"	3/4"	1"	1"1/4	1"1/2	2"
B	49	58,5	65	76,5	87	103	113
C	46	51	54	63	77	88	97
D	92	92	92	115	125	150	150
E	10	15	19	24,5	32	40	50
F	9,5	11,5	13	16,5	16	18	20
G	23	29,5	37	44	55,5	68	87
Kg/cm ² bar	40	40	40	40	30	30	30
LBS - psi	580	580	580	580	435	435	435



	3/8"	1/2"	3/4"	1"
DN	10	15	20	25
A	3/8"	1/2"	3/4"	1"
B	49	58,5	65	76
C	42	47	51	57
D	50	50	50	67
E	10	15	19	24,5
F	9,5	11,5	13	16,5
G	23	29,5	37	44
Kg/cm ² bar	40	40	40	40
LBS - psi	580	580	580	580

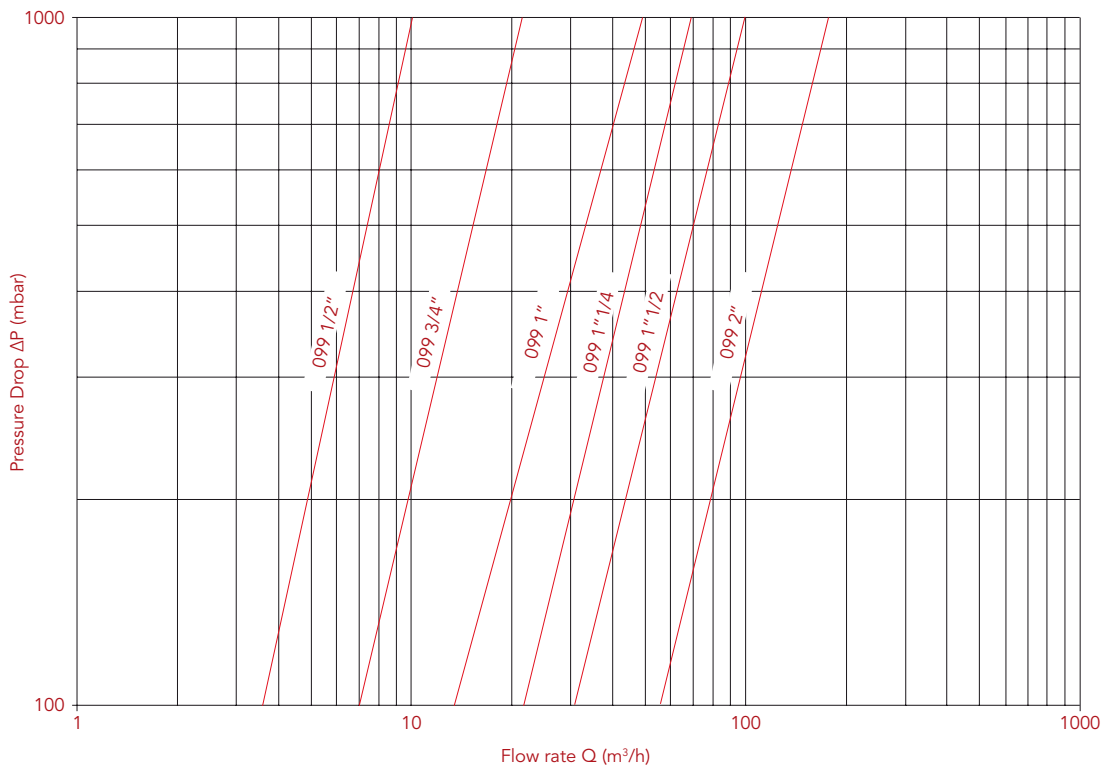
CERTIFICATIONS



FLOW RATE AND PRESSURE DROP CHART

WITH WATER

Art: 099



SIZE	1/2"	3/4"	1"	1" 1/4	1" 1/2	2"
Kv	10,05	24,56	51,21	68,65	98,83	177,04





NOTES

Area with horizontal dashed lines for taking notes.

Art. 099



ITAP S.p.A.
Via Ruca 19
25065 Lumezzane
Brescia (ITALIA)
Tel 030 89270
Fax 030 8921990
www.itap.it - info@itap.it